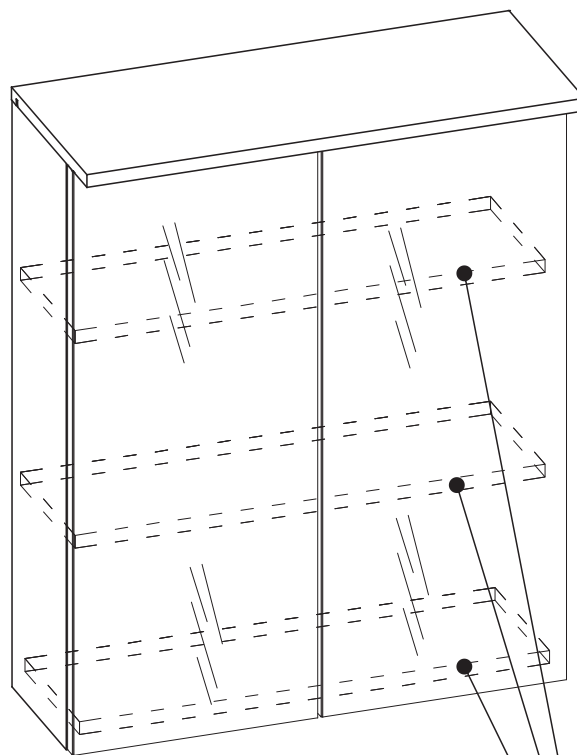
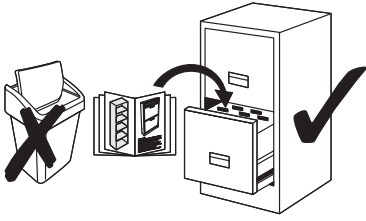
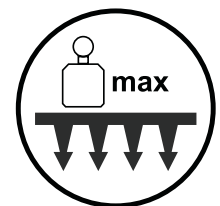


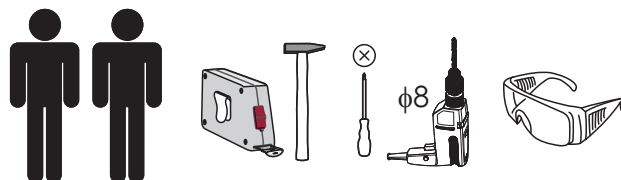
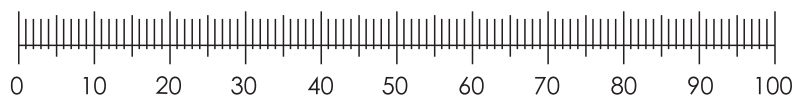
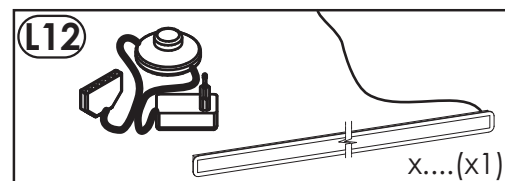
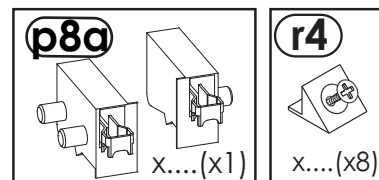
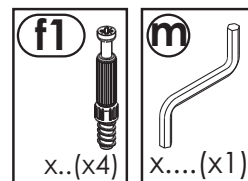
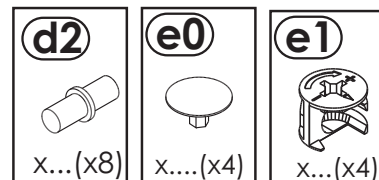
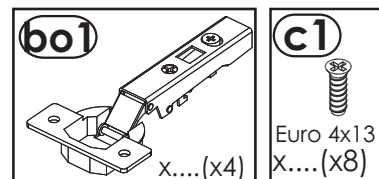
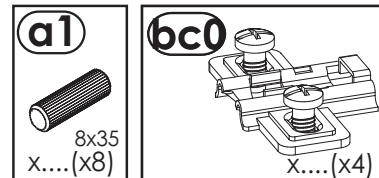
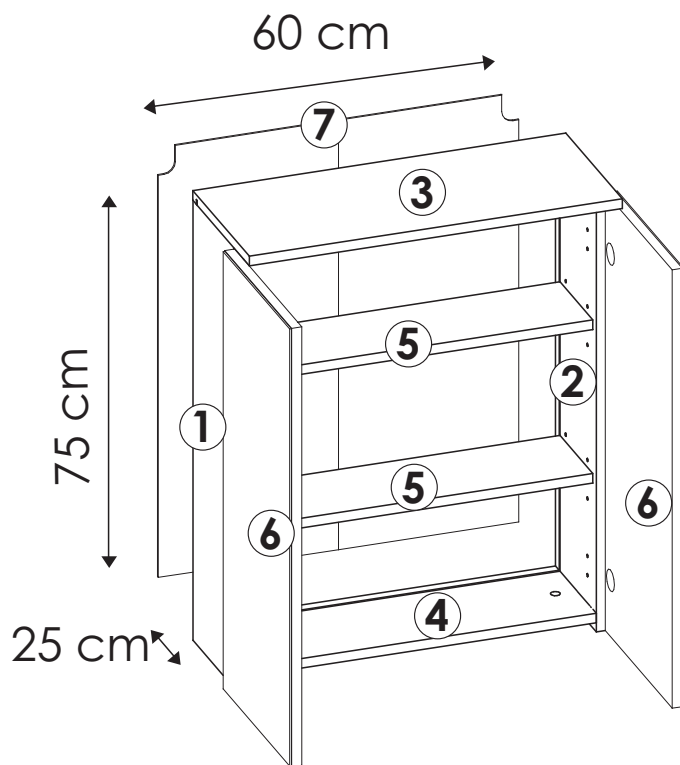
COSMO 2D-60

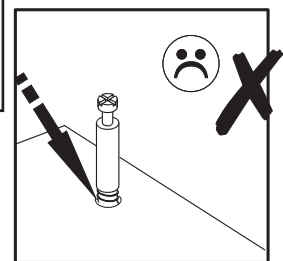
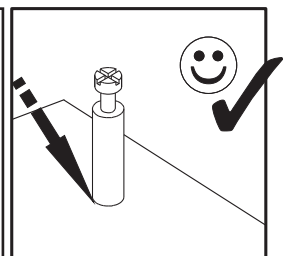
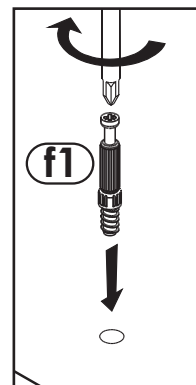
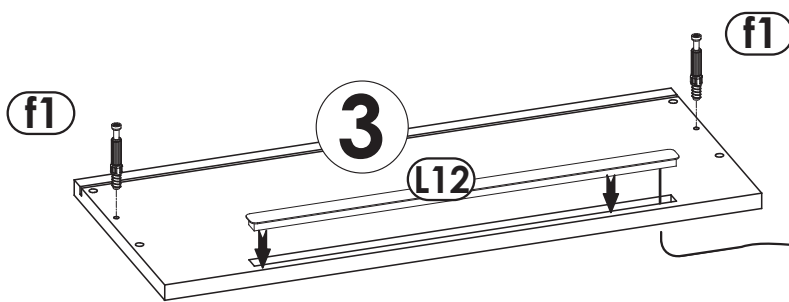
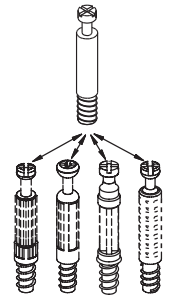
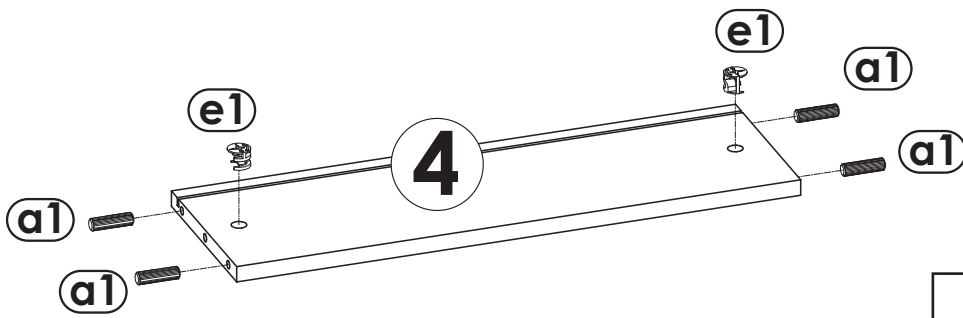
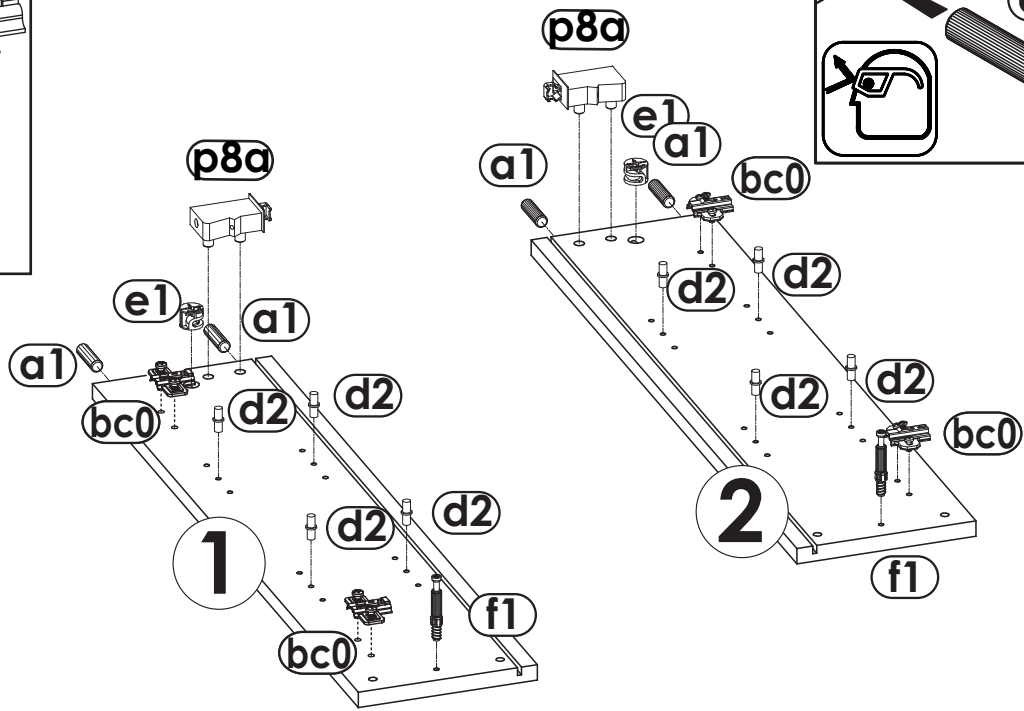
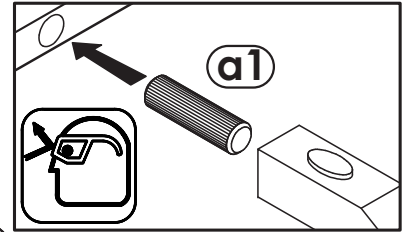
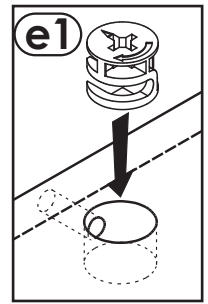
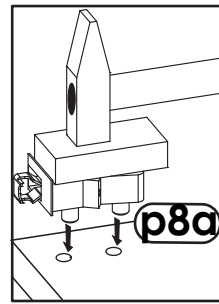
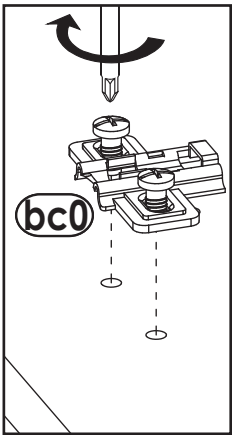
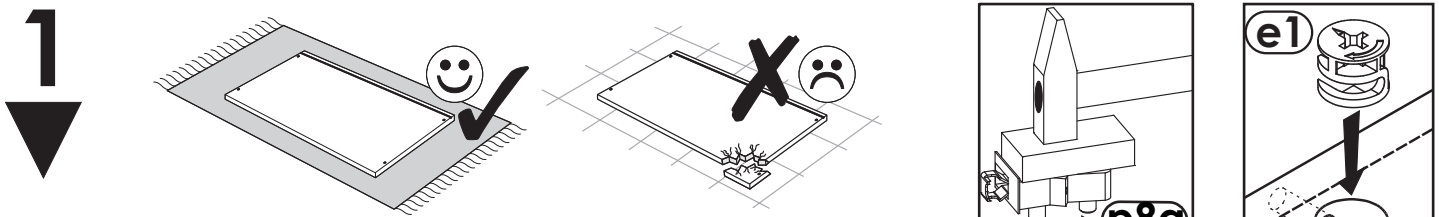


max.
3 kg

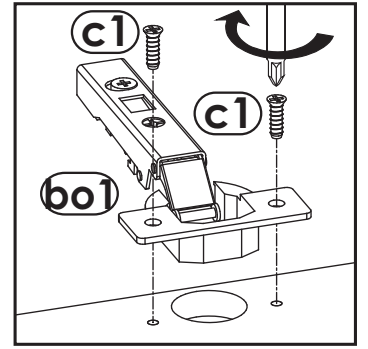
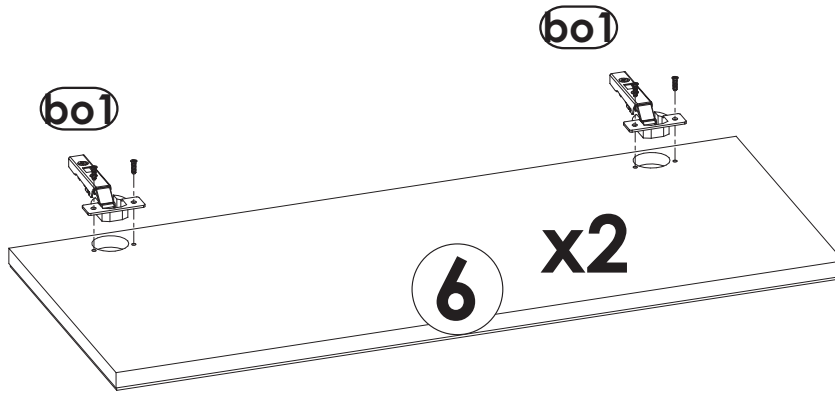
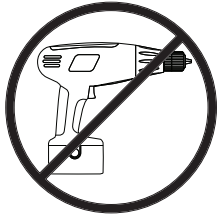
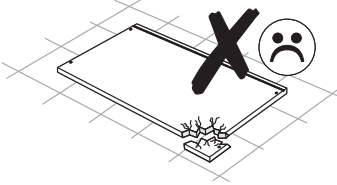
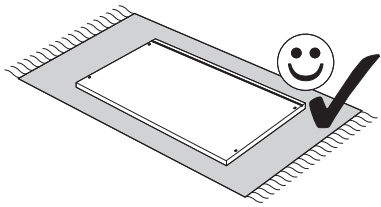


COSMO 2D-60

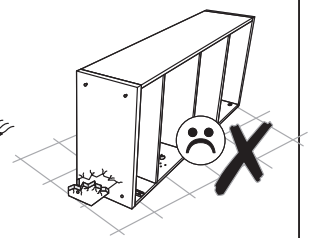
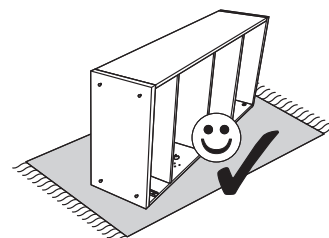
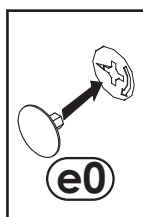
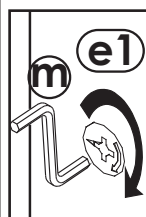
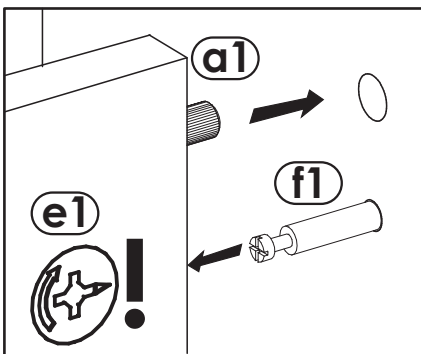
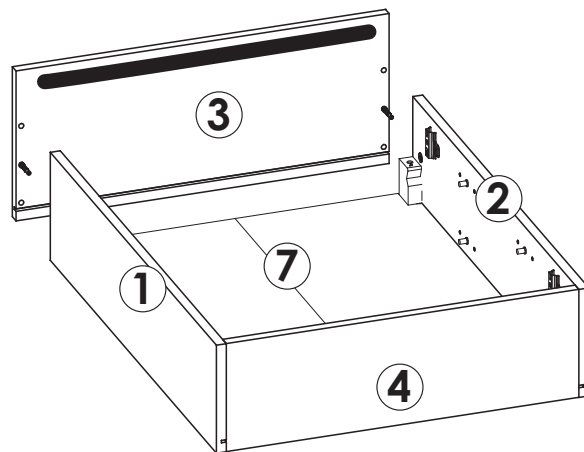
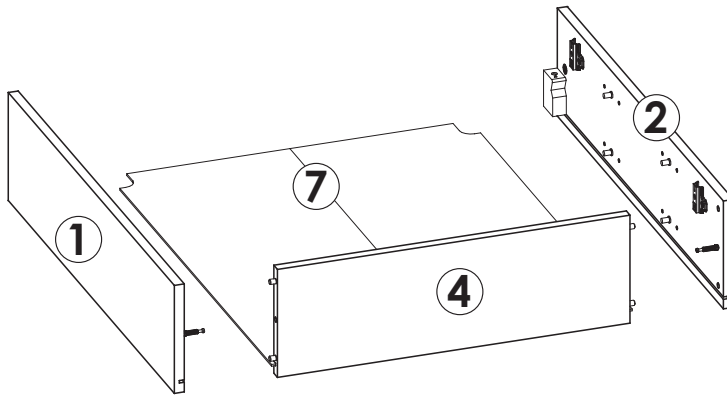




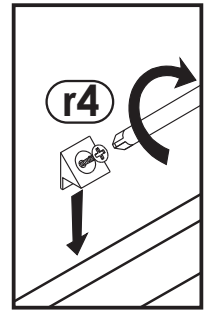
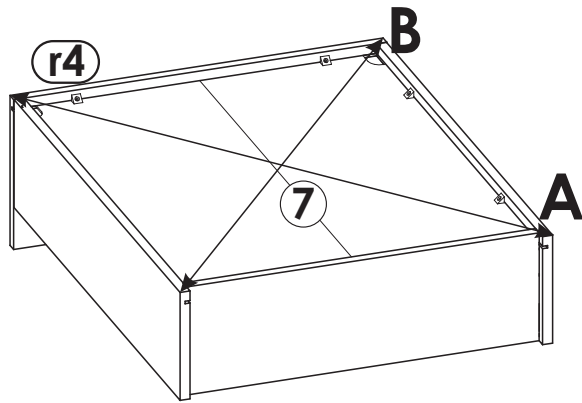
2



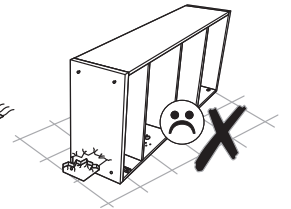
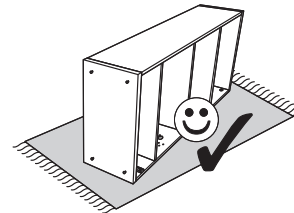
3



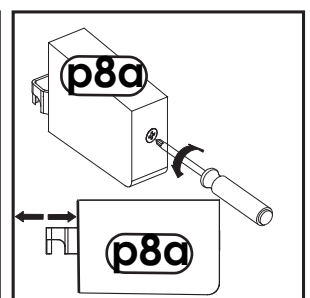
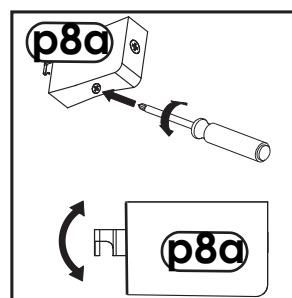
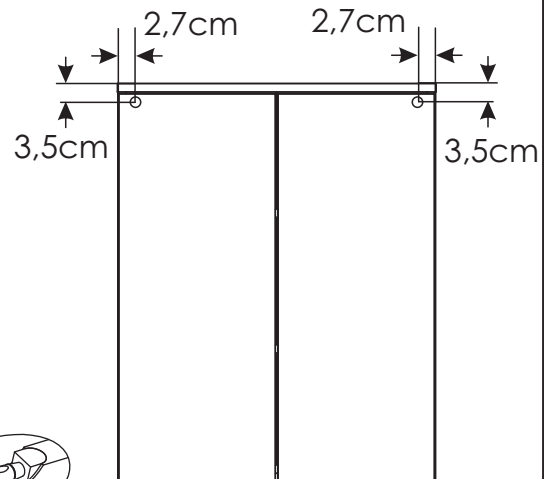
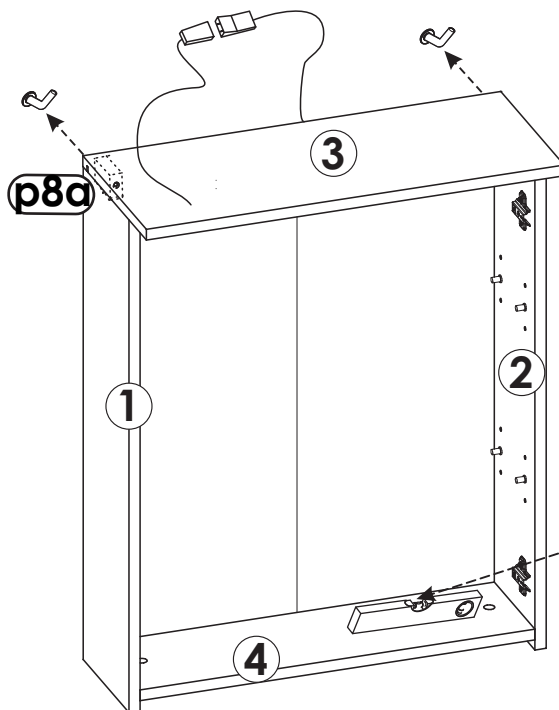
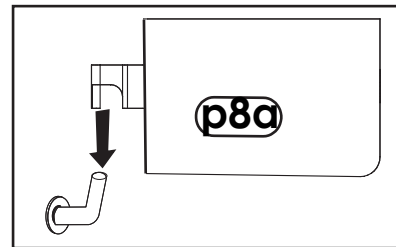
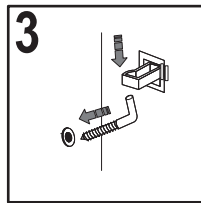
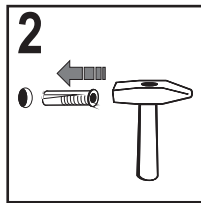
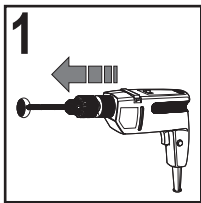
4



A=B



5



6

